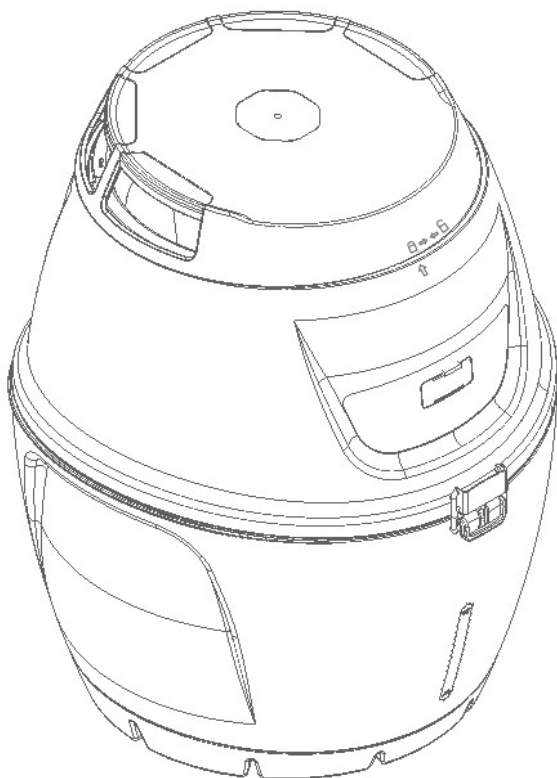


GREEN  **STRIKE**[®]

Model # 800CU
804AE

MOSQUITO PREVENTER

Featuring
ZERO-HATCH
TECHNOLOGY



OWNER'S MANUAL

SAFETY INFORMATION:

- This owner's manual contains important information necessary for the proper assembly and safe use of this product.
- Read and follow all warnings and instructions before assembling and using the product.
- Keep this manual for future reference.

WARNINGS:

- **AVOID** all contact with eyes, ears, nose and mouth. After handling attractants, thoroughly wash contacted skin. Keep out of reach of children and animals. Avoid inhaling or ingesting.
- For outdoor use only! Do **NOT** use indoors!
- Store all attractants in a cool, dry place away from any source of intense heat or moisture. Dispose of attractants in a trash receptacle.
- Do **NOT** empty water from Breeding-Zone in wet areas around your yard.
- Avoid looking directly into UV light for an extended period of time.

NOTICE TO USER:

This mosquito control device is intended to trap mosquito eggs and help to reduce the overall mosquito population. Maxtech Mosquito Control Inc. does not guarantee a complete elimination of mosquito populations in your area.

This is a pest control solution and is to be used only in accordance with the directions on the label. The user assumes the risk to persons or property that may arise from such use of this product.

Be diligent. Watch the news. Stay updated on potential mosquito diseases in your area. Never use multiple attractants in the same unit.

Visit www.green-strike.com, follow us on Facebook, Twitter & Instagram for frequent updates on mosquito born diseases that are potentially in your area.

WARRANTY:

GREEN/STRIKE® warranties to the original purchaser that this product is free from defective materials and workmanship. This warranty is limited to remedy any defective part for a period of one year from the date of the original purchase. Retain your original receipt as proof of purchase. This warranty does not apply to electrical components, nor to, in our judgment, misuse or abuse. If this unit has been altered, no warranty is in force. In no case shall **GREEN/STRIKE**® be liable for any accidental, punitive, consequential or any other damages of any kind for breach of this or any other warranty, expressed or implied.

Register your warranty online through www.green-strike.com/register.

ABOUT YOUR **GREEN/STRIKE**® MOSQUITO PREVENTER

Now that you have purchased a **GREEN/STRIKE**® Mosquito Preventer, you are on your way to preventing mosquitoes in your outdoor living areas. Just a reminder that the Mosquito Preventer works great at reducing “second generation” mosquitoes that otherwise would be multiplying in your backyard.

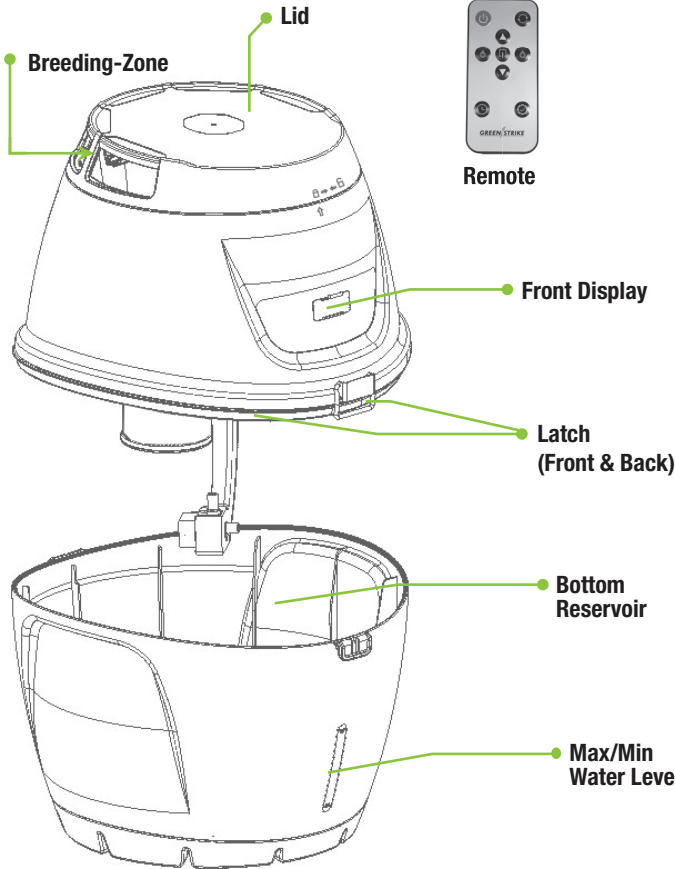
Please carefully read through this manual to understand how to use and maintain this device.

TABLE OF CONTENTS:

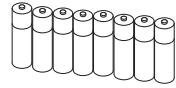
How To Setup Your Preventer	pg 3
How The Preventer Works	pg 7
Zero-Hatch Technology Features	pg 8
Where To Place The Preventer	pg 9
How Do I Know If It Is Working?	pg 10
How To Maintain Your Preventer	pg 11
Troubleshooting/Diagnostics	pg 13

INCLUDED IN BOX:

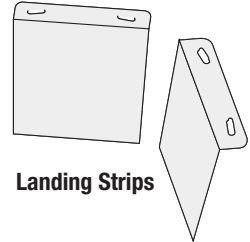
1x Bottom Reservoir
1x Breeding-Zone
1x Reactor
2x Landing Strips
1x Remote
8x AA Batteries
1x User Manual



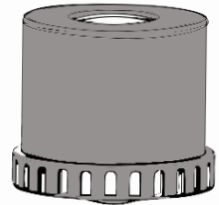
Remote



AA Batteries



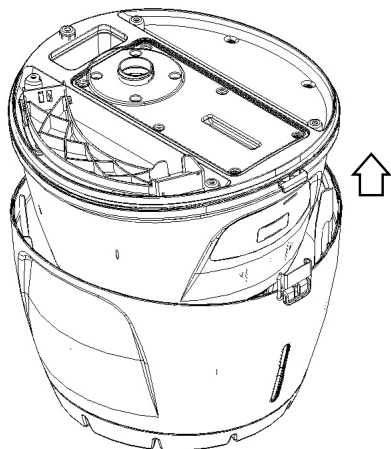
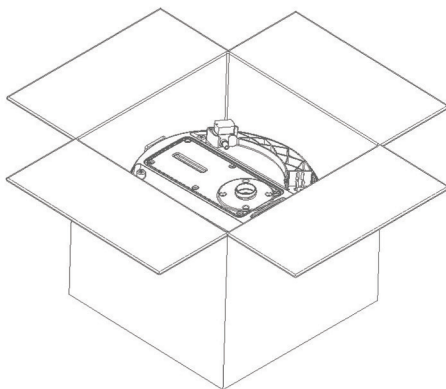
Landing Strips



Reactor With Attractant

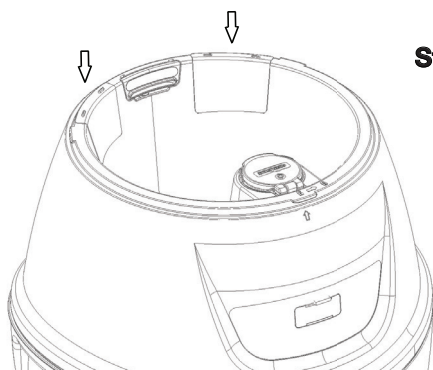
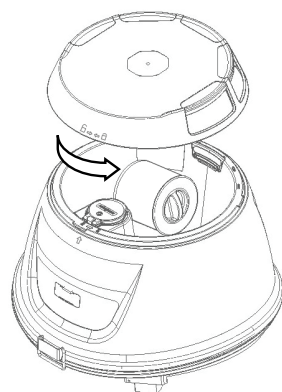
HOW TO SETUP YOUR MOSQUITO PREVENTER FOR THE FIRST TIME

Step 1: Open the box & remove product from packaging.

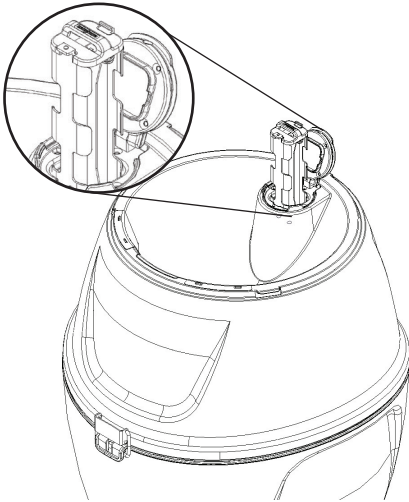


Step 2: Separate the **Breeding-Zone** from the **Bottom Reservoir**.

Step 3: Rotate the lid of the **Breeding-Zone** to unlock and remove the lid. This will give you access to the **Reactor, Batteries, Remote and Landing Strips**.

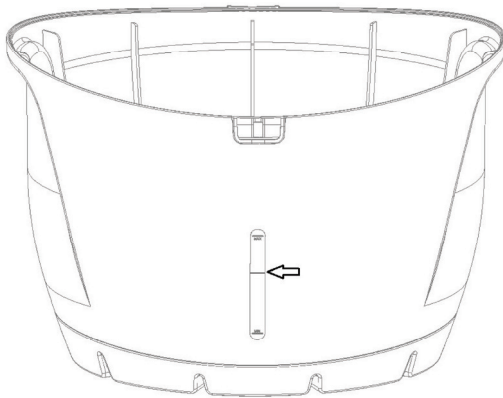
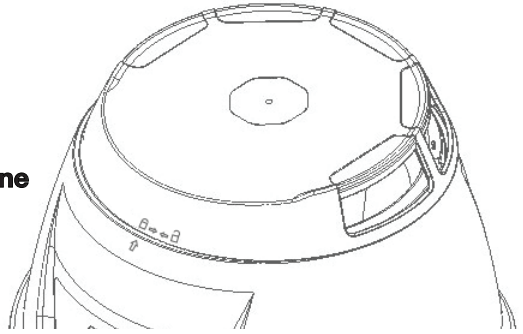


Step 4: Peel along the dotted line on the **Landing Strip's** packaging. Remove out the **TWO Landing Strips** from their plastic packaging. Gently peel off the **Glue Protection** plastic. Ensure that the **Glue Protection** side of the strips are facing down. Align the slots of the **Landing Strips** up with the **Tabs** on the **Mosquito Preventer**. Gently press down on the area of the **Landing Strips** that has the glue. Fold the landing area of the strips downward along the edge of the **Tank**.

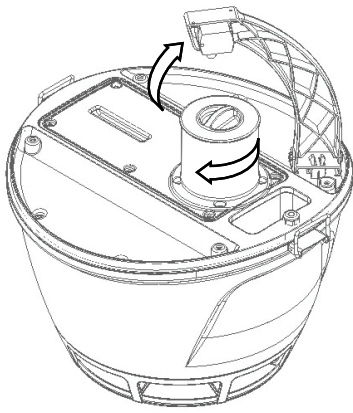


Step 5: Open the battery compartment and retrieve the battery tray. Insert the 8 AA batteries into the tray. Return the tray to the battery compartment with the little black square facing the **Landing Strips**. Close the cover firmly by hand.

Step 6: Replace the **Breeding-Zone** lid and rotate it to lock it back on securely.

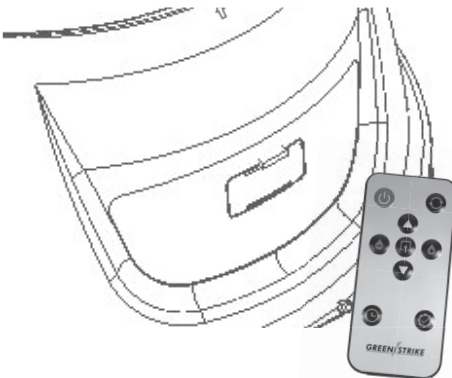
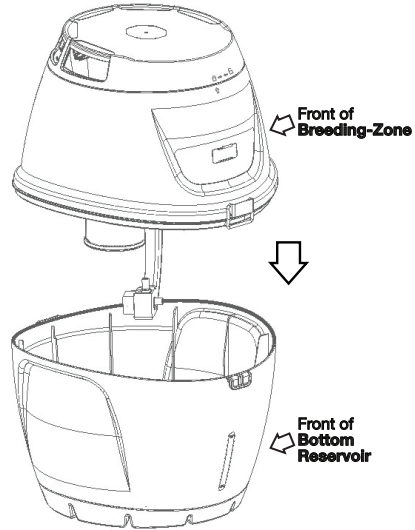


Step 7: Fill the **Bottom Reservoir** up to the fill line with rain water or distilled water (to prevent calcium buildup) as indicated on the viewing window.



Step 8: Attach the **Reactor** to the **Breeding-Zone** and rotate until the **Reactor** is locked in place. Raise the pump control arm until it clicks firmly into a locked position.

Step 9: Attach the **Breeding-Zone** to the **Bottom Reservoir**. Align the latches at each side of the **Mosquito Preventer**, then lock each of the latches.



Step 10: Rapidly press the **ON/OFF** button on the **Remote** until the **Front Display** becomes active.

HOW THE MOSQUITO PREVENTER WORKS

ZERO-HATCH TECHNOLOGY

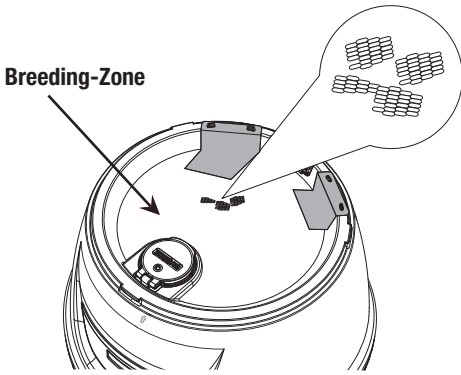
The **Mosquito Preventer** features patented **Zero-Hatch Technology**, that mimics a pond or marsh - the ideal breeding spot for mosquitoes. This encourages female mosquitoes to lay their eggs inside the **Breeding-Zone**. **Zero-Hatch Technology** then captures and eliminates mosquito eggs to reduce overall mosquito populations to prevent potentially lethal mosquitoes from constantly multiplying in your backyard.

- 1) Attracted by the patented **Mosquito Attractant**, female mosquitoes will lay their eggs inside the **Breeding-Zone**. While laying eggs mosquitoes naturally deposit a pheromone that acts like an attractant. This communicates to other mosquitoes that this is a safe place to breed.
- 2) The system cycles the water every 3 or 5 days*. This process will flush the eggs through the **Reactor**, capturing and killing any mosquito eggs from the **Breeding-Zone**, preventing them from hatching.
- 3) The water containing the **Mosquito Attractant** and pheromones is recycled back into the **Breeding-Zone**. This water becomes an increasingly strong attractant each time the system is cycled.



* Cycle time can be adjusted based on warmer climates

ZERO-HATCH TECHNOLOGY FEATURES

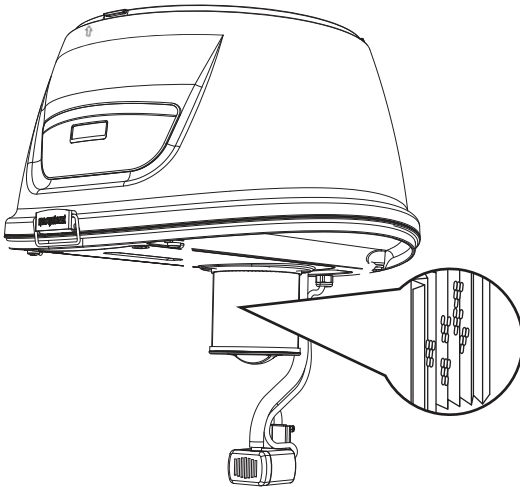
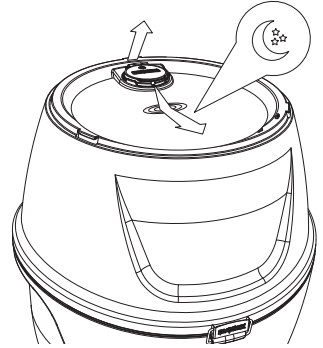


BREEDING-ZONE:

Female mosquitoes will lay their eggs inside of the **Breeding-Zone**, either on top of the **Landing Strip** or directly in the water. Each time a mosquito lays an egg, they emit their own pheromone attractant that tells other mosquitoes "this is a great spot to lay eggs!"

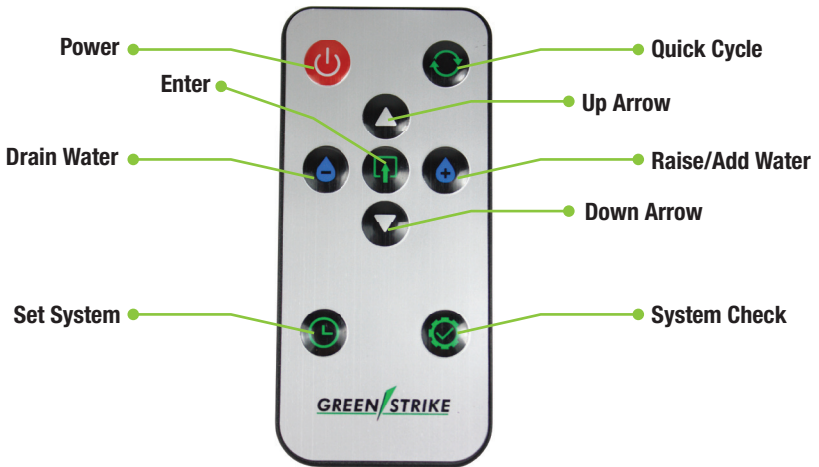
MOONLIGHT:

The UV lights will turn on at dusk to mimic moonlight reflecting off water. This attracts the female mosquitoes.



REACTOR:

Every cycle, the mosquito eggs and their natural pheromones are separated by passing through a **Reactor**. This cycle captures and kills the mosquito eggs while preserving the natural pheromones for recycling back into the **Breeding-Zone**.



Step 11: You will be prompted to set the current time of day.

- a) First set the **HOURS** using the arrows on the **Remote**
- b) Press **ENTER**
- c) Repeat first two steps to set the **MINUTES**

Step 12: Select the **Cycle Time** (Number of Days)

This determines the frequency of days that the unit will kill mosquito eggs captured in the **Breeding-Zone** and recycle the **Mosquito Attractant**. The unit defaults to a 3 **OR** 5 day cycle depending on your device. Each **Cycle** occurs at 12:00am for a duration of one minute.

- a) "3" **OR** "5" should immediately flash on the **Front Display**
- b) Use the **UP/DOWN** buttons on the **Remote** to select the desired **Cycle Time**
- c) Press the **ENTER** button on the **Remote** to confirm the **Cycle Time**

Step 13: Once you complete setting up your time and cycle day you are ready to perform the two cycles. (If the **Front Display** is not showing the time press the **POWER** button on the **Remote** rapidly until the **Front Display** turns on.)

With the **Front Display** showing the time press the **Quick Cycle** button on the **Remote** to activate the system. The water and **Mosquito Attractant** from the **Bottom Reservoir** will be pumped up into the **Breeding-Zone**. Once the system has finished, repeat the **Quick Cycle** a second time. Once the system has finished the second time, your **GREEN/STRIKE[®] Mosquito Preventer** is completely activated and ready to catch mosquito eggs.

WHERE TO PLACE THE MOSQUITO PREVENTER

Your land for where mosquitoes are currently breeding. Eliminate as many alternative breeding spots for mosquitoes as possible.

These May Include:

- Yard Waste
- Lawn Clippings
- Clogged Gutters/Eavestroughs
- Bird Baths
- Any Other Stagnant Water

The goal is to encourage the female mosquito to lay their eggs in the Mosquito Preventer.



TRY TO PLACE THE MOSQUITO PREVENTER IN A SPOT THAT MEETS AS MUCH OF THE BELOW CRITERIA AS POSSIBLE:

1) ALL DAY SHADE

This ensures the temperature of the unit is ideal to attract female mosquitoes. Mosquitoes like to stay in shaded areas during dormant periods.

2) PROTECTION FROM WIND

Mosquitoes are not great at flying. They prefer to have little to no wind and will choose their breeding spots in an area that best protects themselves and their eggs from high winds.

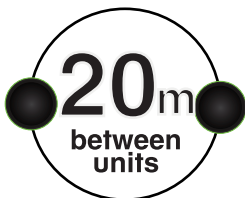
3) LOTS OF VEGETATION

The more “green” in or around the preventer the better. The nutrients, minerals and proteins found in ponds are ideal for mosquitoes to lay their eggs.



If you have two (2) Mosquito Preventers:

The more Mosquito Preventers in your yard, the better the units will work. Educate your neighbours on the steps you’ve been taking to prevent mosquitoes from multiplying in your yard.

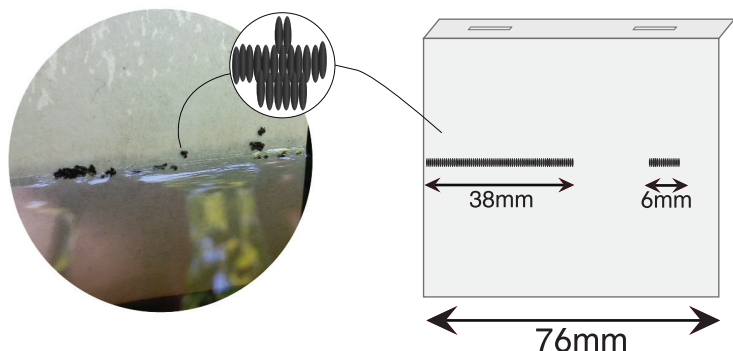


Place your Mosquito Preventers approximately 20 meters apart.

HOW DO I KNOW IF MY MOSQUITO PREVENTER IS WORKING?

LANDING STRIPS

Eggs will often appear in cluster (rafts) ranging in size. Female mosquitoes will lay their eggs either directly in the water or on the **Landing Strips**.



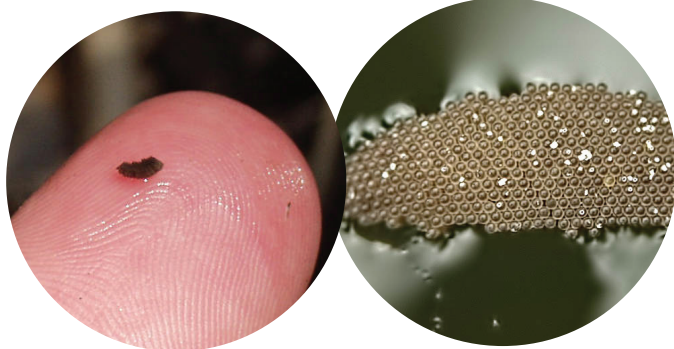
As a guideline, if there are eggs across half the length of a Landing Strip (38mm wide), there will be approximately 600 mosquito eggs deposited.

In an area as wide as a penny there can be as many as 300 mosquito eggs deposited.

RAFTS/EGGS IN WATER

If you don't see eggs on the Landing Strips, don't panic.

Some mosquitoes prefer to lay their eggs within the water, rather than on the Landing Strips.



Small raft =
100 mosquito eggs

TURNING ON AND RUNNING A CYCLE

Using the **Remote** turn on your **Mosquito Preventer**. Once your **Mosquito Preventer** has turned on, press the **Quick Cycle** button on your **Remote**.

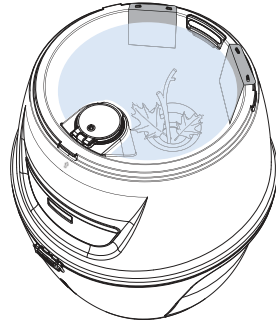
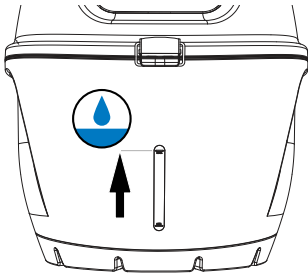
HOW TO MAINTAIN YOUR MOSQUITO PREVENTER

It is crucial that you keep up with the maintenance of your Mosquito Preventer in order to keep mosquitoes coming back to the unit. Follow these steps on a observational and monthly schedule to keep your unit running at peak performance.

OBSERVATIONAL MAINTENANCE

A visual inspection is required that won't take too much time. Follow these steps:

1. Ensure **Breeding-Zone** and **Bottom Reservoir** have enough water and are free from debris.

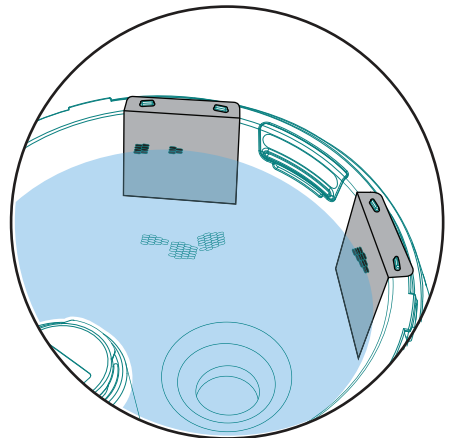


If the **Breeding-Zone** water level has dropped, simply press the **raise/add water** button on the **Remote** to raise the water level in the **Breeding-Zone**.

2. Perform a System Check to ensure that the batteries and valves/drains are working properly and are free from any blockages. Leaves, branches and other foliage can often block the drainage valve in the **Breeding-Zone**.

If an **ERROR** occurs, the **Front Display** will flash red. Please visit page 13 for **Troubleshooting** and **Front Display Diagnostic** options.

3. Ensure that the **Landing Strips** are still secured to the top of the **Breeding-Zone**.

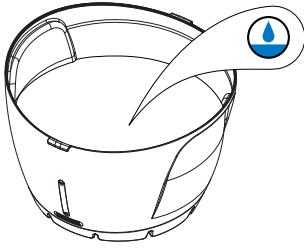


MONTHLY MAINTENANCE (EVERY 30 DAYS)

Every 30 days we recommend you replace certain elements of the **Mosquito Preventer**. Ask the retailer, or place where you purchased your unit if they carry the **Reactor Kits**. You can also order the **Reactor Kit** online at www.green-strike.com/shop.

Follow these steps:

1. Drain water from the **Breeding-Zone** by pressing the drain water button on the Remote.
2. Remove the **Batteries**.

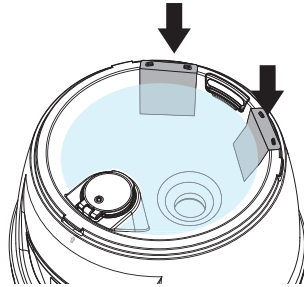
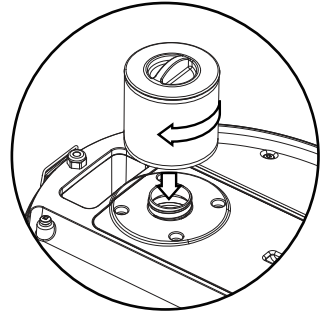


3. Dump the water from the **Bottom Reservoir**.
*See note in WARNINGS, page 1 for dumping area

4. Refill the **Bottom Reservoir** up to the fill line with either rain or distilled water (to prevent calcium buildup) as indicated on the viewing window.

5. Replace the **Reactor**.

Remove the previous month's **Reactor** and place it in a resealable bag.



6. Replace both of the **Landing Strips**.

Place both of the used **Landing Strips** in the resealable bag with the **Reactor**. Place this bag directly into the trash. Avoid placing it in wet or moist trash.

7. Insert **Batteries** and repeat setup instructions.

END OF SEASON MAINTENANCE




Follow steps 1, 2, 3 from the monthly maintenance. 5. Wash, dry and store the **Mosquito Preventer** in an upright position and in a dry place.

TROUBLESHOOTING

PROBLEM	POSSIBLE CAUSE	SOLUTION
My unit will not Start/Turn On	Batteries are dead or low	Replace batteries
	Defect in power system	Contact <i>GREEN/STRIKE</i>
Water will not Pump In/Drain Out of Bottom Reservoir	There may be something blocking the valves from recycling the water in the Bottom Reservoir	Inspect valves and lines in pump mechanism and clear out debris
I still see lots of mosquitoes around my living area	The unit has not fully adjusted to your environment	It may take up to 1 month to see noticeable results as the unit works to kill off future mosquito generations
	Your unit may not be in the right location in your yard	Move your unit in an area with lots of shade, wind protection and lots of vegetation
There is a smell coming from the unit	The attractant has fermented	This is normal

FRONT DISPLAY DIAGNOSTICS

If you've gone through the below diagnostics process and errors still occur, contact us at www.green-strike.com for additional help.

ERROR	INDICATES	SOLUTION
	LOW BATTERY	Remove batteries and replace with new batteries
	DRAIN STUCK OPEN	Something is blocking the drain valve from closing (leaves, grass, debris). Clear the blockage completely and press the Quick Cycle button on the Remote . Red LED will turn off. If LED is still on, check battery level
	DRAIN STUCK CLOSED	Something is preventing the drain valve from opening. Check the battery level. If red LED light is still flashing and the drain valve is still closed contact <i>GREEN/STRIKE</i>

GREEN / STRIKE[®]

Made in China
Mosquito Attractant Made in USA
GREEN/STRIKE[®] is a trademark of Maxtech Mosquito Control Inc.
173 Roger St. Waterloo ON N2J 1B1
1-800-265-8847
519-885-1213
www.green-strike.com
www.maxtechinnovations.com